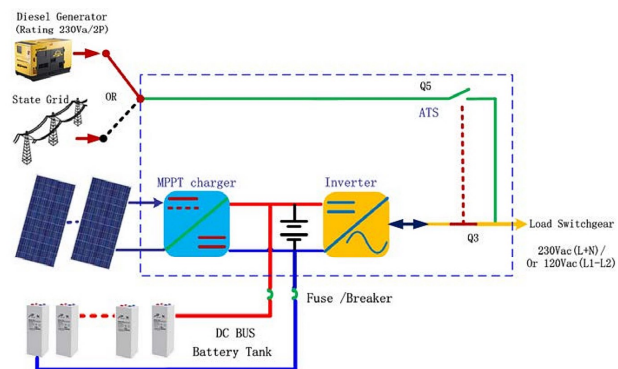


SH series Hybrid Solar Inverter with High Voltage Design

- Built-in 500Vdc MPPT Solar charger, eliminate the DC combiner cost
- Multi- channel MPPT trackers(2-4), increases the solar panel eff. to 99.2%
- 100% EPS output capacity, support large capacity load conveniently
- Adjustable battery voltage range, flexible in battery (KWH) configuration
- Compatible with both Lithium battery and Lead acid(VRLA) battery
- High battery inverter efficiency (up to 97%),prolong the back-up time
- IP 65 outdoor high reliable design ,suitable to the harsh environment
- LCD touch screen, friendly function setting for different application purpose
- Advanced battery management(ABM) system inside to prolong battery life
- Remote management for diesel generator(DG) turn on/off, save the fuel
- Support Wifi/4G wireless global monitoring(option kit), global management
- Provide 230Vac and 120Vac versions



SH Series Hybrid Solar Inverter system (7KVA-15KVA)



Technical datasheet of SH Series Hybrid Solar Inverter

Model	SH-7K	SH-10K	SH-15K	SH-10K-LA	SH-15K-LA
AC output(EPS)					
Rated AC output power	7KVA/6KW	10KVA/8KW	15KVA/12KW	10KVA/8KW	15KVA/12KW
AC output voltage	230Vac(L-N),Single Phase			110-120V Single phase/220-240V split phase	
AC output Topology	L+N+PE			L1+N+PE/L1-L2+PE	
AC Output Frequency	50/60Hz(45 to 54.9Hz / 55 to 65Hz)				
Output THDI	< 2%				
Battery Mode efficiency	>=95%	>=97%		>=93%	
AC(Grid) input					
AC input Voltage	176-264Vac (L-N+PE)			220-240V split phase(L1-L2+PE)	
AC input Frequency	50/60Hz (45 to 54.9Hz / 55 to 65Hz)			50/60Hz (45 to 54.9Hz / 55 to 65Hz)	
PV input					
PV input power	7KWp	10KWp	15KWp	10KWp	15KWp
MPPT Channels(MC4)	2	4		4	
Each MPPT input current (MC4)	14A				
PV voltage range	125V-500Vdc	150 - 500Vdc			
MPPT rating Voltage	360Vdc	360Vdc			
Max PV input voltage	500V				
Battery					
Max charge&discharge current	110 A / 110 A	80 A / 80 A		80 A / 80 A	
Battery Default Voltage	48V default	240V default		240V default	
Battery voltage range	40V~59V	96V~336V		150V~336V	
Battery type	Lithium Battery /Lead-acid battery				
Protection					
Complete Protection	Ground protection;Pull arc protection;DC disconnect detection; Battery Reverse protection;Battery charge and discharge protection;insulation testing; DC&AC anti-thunder;Overvoltage and under-voltage protections;AC&DC over-current protection; AC short-circuit current protection;overheating protection				
General Data					
AC and backup output conduit size	25.4mm				
PV input conduit size	25.4mm				
Battery input conduit size	34.5mm				
Operation Temperature range	-25 ~ +60°C				
environment humidity	0-95%				
Altitude	0~4000M(Derating when over 2000m)				
IP Grade	IP65				
Weight	30Kg	37kg		58kg	
Dimension (W x H x D)(mm)	550*515*200mm	530*660*200mm		530*660*200mm	
Cooling	Natural cooling				
Noise emission(dB)	<25dB			<29dB	
Display	LCD				
Communication	CAN(Modbus), RS485 · WIFI(optional),4G(Optional)				
Self-consumption at night	< 2.5 W (with battery enabling < 5 W)				
Certification	CE				



AOLI SOLAR WITH HIGH PERFORMANCE

www.aolisolar.com

Head Office:Rm 2506,Unit A ,Tianning Times Building,Changzhou City,JiangSu,China
 Factory Add: C1 Buliding,Science & Technology Zone,Changzhou City,JiangSu,China
 Email:info@aolisolar.com